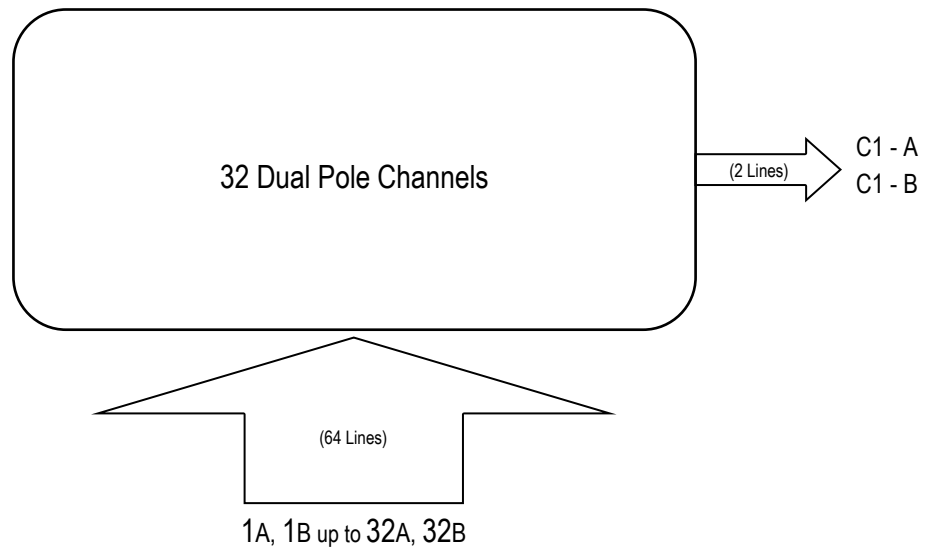
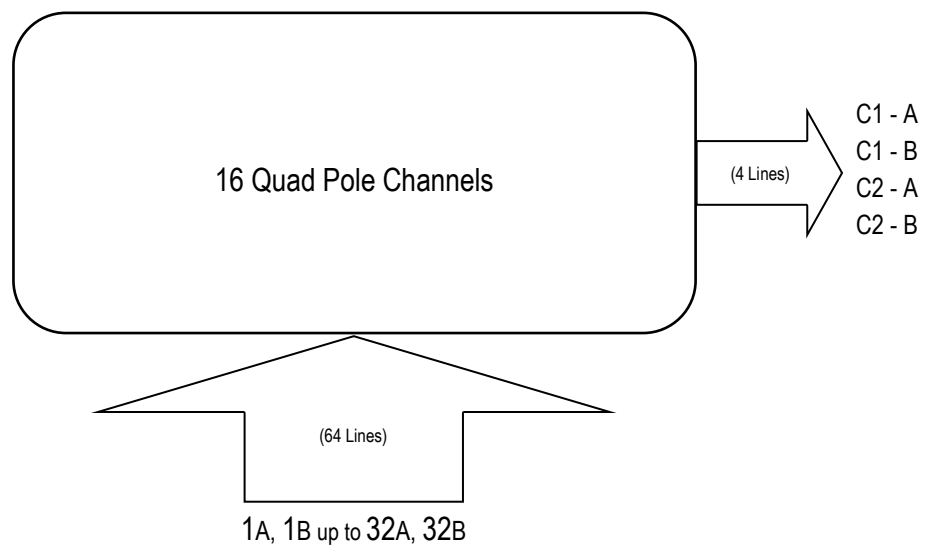


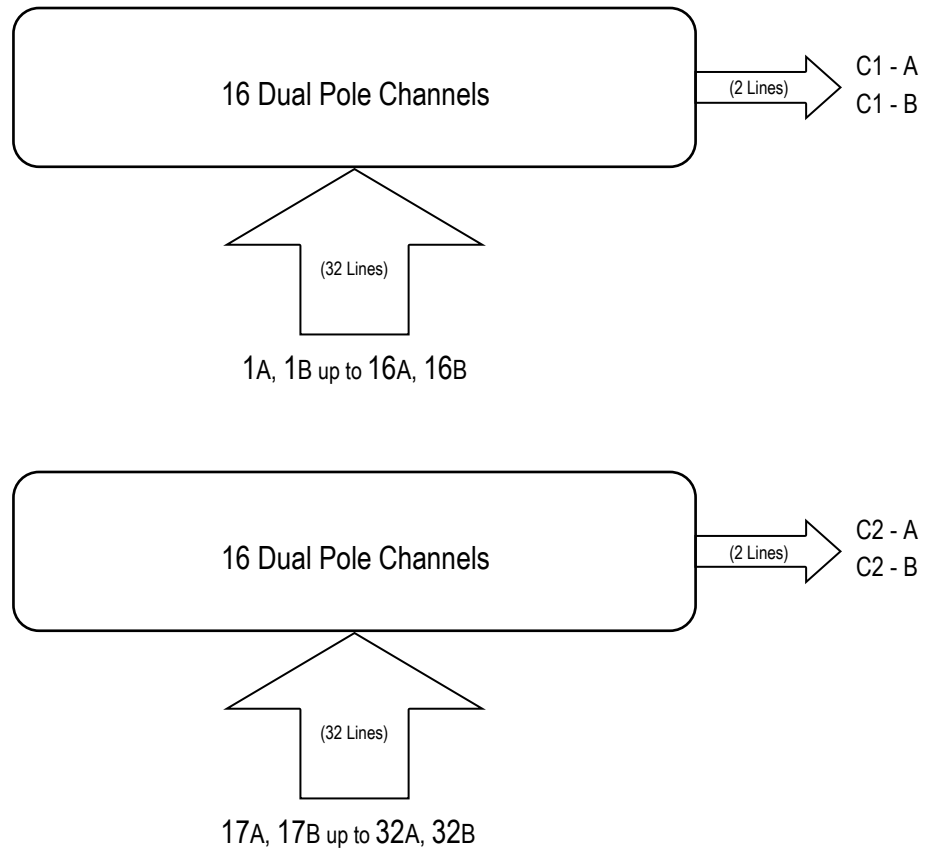
Operation Mode 0 (Default)



Operation Mode 1



Operation Mode 2



Operation Mode 3

